

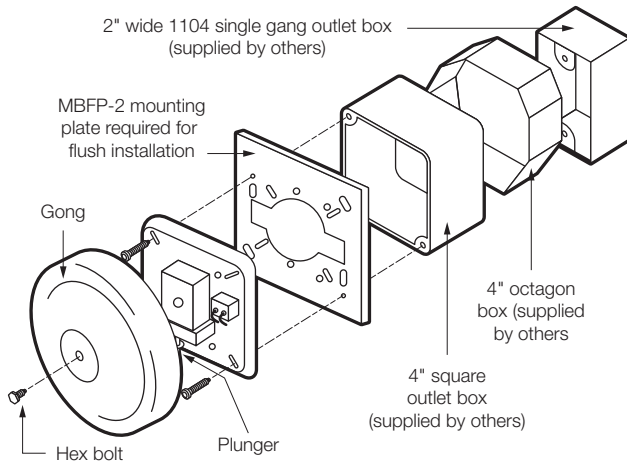
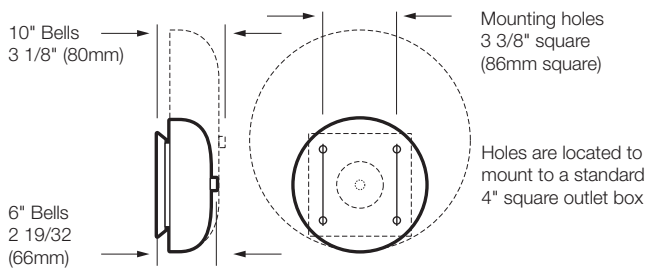
Overview

MB Series Motor Driven Bells are specially designed for fire alarm applications. The gongs are made from select alloy steel chosen to give the loud, resonant tones necessary in fire alarm and life safety systems. Two sizes of gongs are available to help overcome different ambient noise levels.

MB bells are the "under-dome" type and use heavy duty mechanisms. The bell's base and gong are finished with a durable "Fire Red" baking enamel.

They mount on any standard North-American square electrical box. Field wiring connections are made to colour-coded leads.

Installation and Mounting



Standard Features

- Mounts to a standard 4" square electrical box
- Wire lead design
- High quality micromotor
- Loud resonant tones
- Low current draw
- "Fire Red" finish

Ordering Information

Cat. No.	Description
MB6-24	6" (150mm) Fire Alarm Bell, Red Finish 92dB at 10ft, 45 mA
MB10-24	10" (250mm) Fire Alarm Bell, Red Finish 97dB at 10ft, 45 mA
MBFP-2	Flush mounting plate, Red Finish
WBB-1	Weatherproof mounting box

Specifications

Voltage	24Vdc regulated
Operating voltage range	16 - 33 Vdc
Maximum current	0.045A

MB Series Bells



MB10

